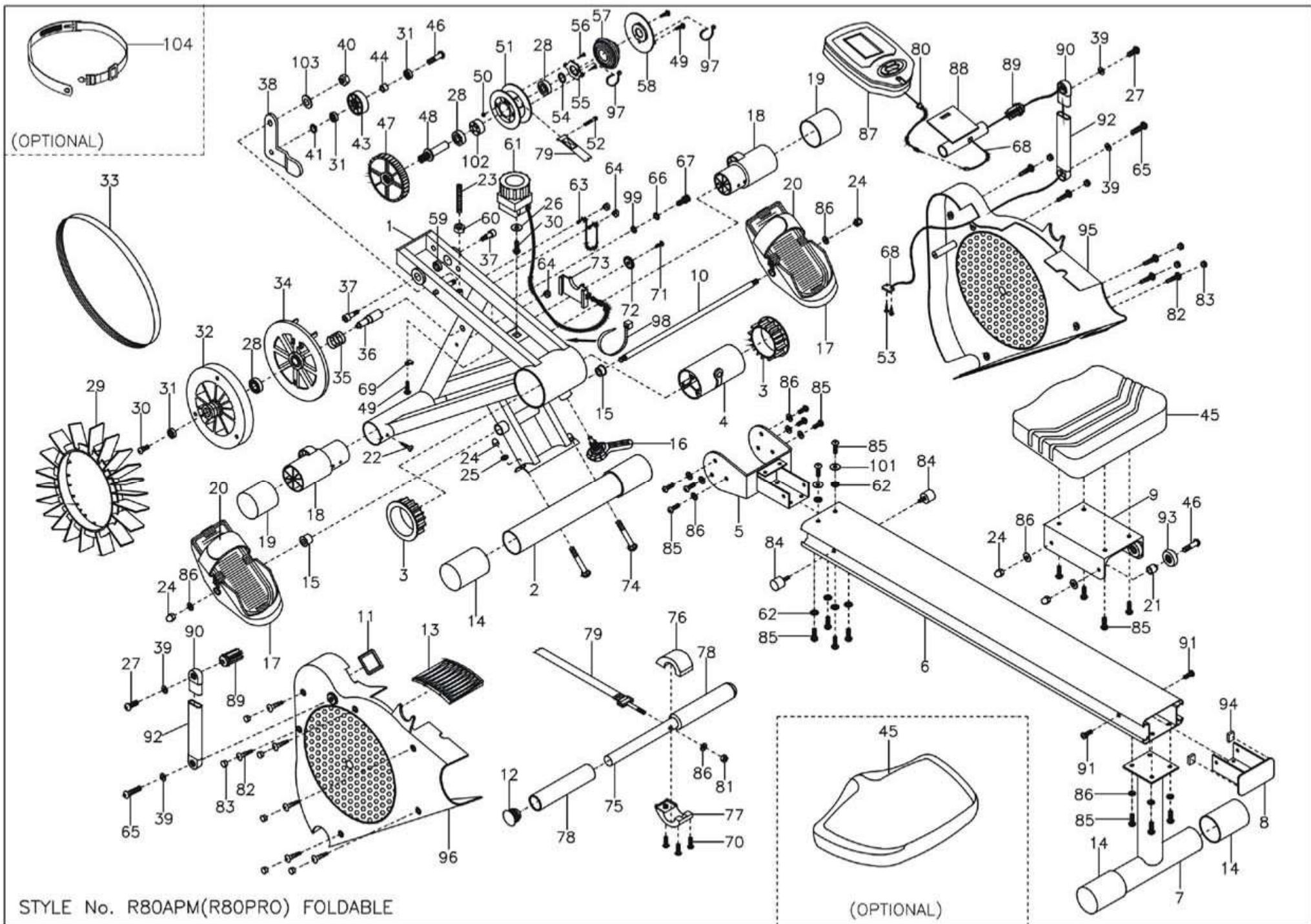




Air Magnetic Rower

MAX USERS WEIGHT: 250LBS
MADE IN TAIWAN

***PARTS IDENTIFICATION AND
ASSEMBLY INSTRUCTIONS***



AIR MAGNETIC ROWER PARTS LIST

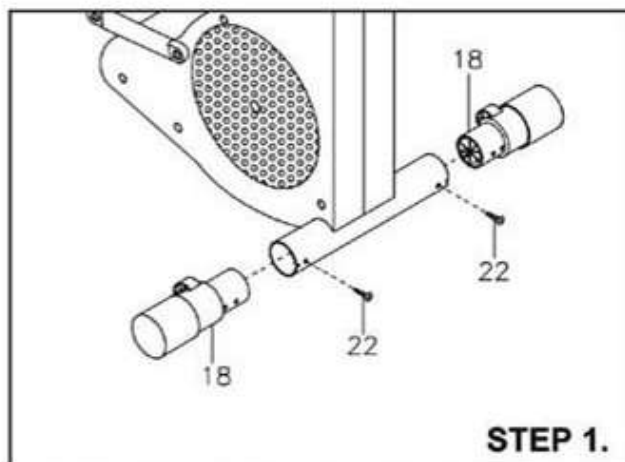
| PART No. | DESCRIPTION | Q'TY | PART NO. | DESCRIPTION | Q'TY | PART NO. | DESCRIPTION | Q'TY |
|----------|--|------|----------|---|------|----------|---|------|
| 1 | FRAME | 1 | 36 | PANCAKE SHAFT | 1 | 71 | M3 x 5mm x \varnothing 9mm PAN HEAD | |
| 2 | FOOT REST TUBE | 1 | 37 | SPECIAL CLUTCH SHAFT BOLT | 2 | | WASHER SCREW | 1 |
| 3 | PIVOT BUSHING | 2 | 38 | TENSION WHEEL PLATE | 1 | 72 | PANCAKE CABLE PULLEY | 1 |
| 4 | DIE CAST PIVOT | 1 | 39 | \varnothing 13mm x \varnothing 6mm x 1.5mmt WASHER | 4 | 73 | PANCAKE SLIDER | 1 |
| 5 | FRONT BRACKET | 1 | 40 | M10 NYLON NUT | 1 | 74 | M8 x 70mm CARRIAGE BOLT | 2 |
| 6 | ALUMINUM BEAM | 1 | 41 | \varnothing 12.5mm x \varnothing 8mm x 1mmt WASHER | 1 | 75 | HANDLE BAR | 1 |
| 7 | REAR LEG & STABILIZER | 1 | 43 | ALUMINUM TENSION WHEEL | 1 | 76 | TOP STRAP BUCKLE COVER | 1 |
| 8 | REAR BRACKET | 1 | 44 | TENSION WHEEL SPACER | 1 | 77 | BOTTOM STRAP BUCKLE COVER | 1 |
| 9 | ALUMINUM CARRIAGE | 1 | 45 | SEAT (OPTIONAL) | 1 | 78 | \varnothing 38mm HD FOAM GRIP | 2 |
| 10 | FOOT PEDAL BAR | 1 | 46 | SPECIAL SEAT ROLLER | | 79 | POLYESTER DRIVE STRAP | 1 |
| 11 | STRAP SLOT TRIM | 1 | | & TENSION WHEEL BOLT | 5 | 80 | 12mm CABLE PLUG | 1 |
| 12 | \varnothing 38mm MUSHROOM PLUG | 2 | 47 | DRIVE PULLEY | 1 | 81 | M8 NYLON NUT | 1 |
| 13 | COVER VENT | 1 | 48 | CLUTCH SHAFT | 1 | 82 | M5 x 15mm COUNTER SUNK SCREW | 11 |
| 14 | LONG CAP | 4 | 49 | M5 x 15mm PAN HEAD SCREW | 3 | 83 | COVER PLUG | 11 |
| 15 | BUSHING \varnothing 25mm x \varnothing 13.5mm | 2 | 50 | 3/16" NYLON NUT | 1 | 84 | FRONT BUMPER STOPPER | 2 |
| 16 | CLAMP KNOB-LOCK PIN | 1 | 51 | STRAP DRUM | 1 | 85 | M8 x 15mm PAN HEAD BOLT | 20 |
| 17 | FOOT PEDAL | 2 | 52 | 3/16" x 32mm SOCKET HEAD BOLT | 1 | 86 | \varnothing 18mm x \varnothing 8mm x 1.5mmt WASHER | 17 |
| 18 | FOOT PLUG with WHEEL | 2 | 53 | M3 x 8mm CHEESE HEAD SCREW | 2 | 87 | COMPUTER | 1 |
| 19 | SHORT CAP | 2 | 54 | 17mm EXTERNAL RETAINING CLIP | 1 | 88 | COMPUTER MOUNTING BRACKET | 1 |
| 20 | FOOT STRAP | 2 | 55 | RETURN SPRING DRUM | 1 | 89 | COMPUTER PIVOT PLUG | 2 |
| 21 | SEAT ROLLER SPACER | 4 | 56 | M4 x 16mm COUNTER SUNK SCREW | 2 | 90 | COMPUTER ARM PLUG | 4 |
| 22 | \varnothing 5.6mm x 19mm PAN HEAD SCREW | 2 | 57 | RETURN SPRING | 1 | 91 | SPECIAL REAR BRACKET BOLT | 2 |
| 23 | M8 x 65mm ALL THREAD BOLT | 1 | 58 | RETURN SPRING RETAINER | 1 | 92 | COMPUTER ARM TUBE | 2 |
| 24 | M8 LONG DOME NUT | 8 | 59 | BEARING 6000ZZ IJK | 2 | 93 | SEAT ROLLER | 4 |
| 25 | \varnothing 16mm x \varnothing 8mm x 1.5 CURVED WASHER | 2 | 60 | M8 NUT | 1 | 94 | REAR BUMPER STOPPER | 2 |
| 26 | \varnothing 24mm x \varnothing 5mm x 2.0mm WASHER | 1 | 61 | RESISTANCE ADJUSTER | 1 | 95 | RIGHT COVER | 1 |
| 27 | M6 x 20mm PAN HEAD BOLT with LOC TITE | 2 | 62 | \varnothing 16mm x \varnothing 8mm INTERNAL STAR WASHER | 6 | 96 | LEFT COVER | 1 |
| 28 | BEARING 6003ZZ SKF or INA | 3 | 63 | PANCAKE CABLE | 1 | 97 | SMALL CABLE TIE | 2 |
| 29 | FAN WITH SENSOR MAGNET | 1 | 64 | PANCAKE CABLE GUIDE | 3 | 98 | LARGE CABLE TIE | 1 |
| 30 | M5 x 10mm PAN HEAD BOLT | 2 | 65 | M6 x 30mm PAN HEAD BOLT with LOC TITE | 2 | 99 | \varnothing 16mm x \varnothing 10mm x 1.8mmt WASHER | 1 |
| 31 | BEARING 608ZZ IJK | 3 | 66 | M10 SPRING WASHER | 1 | 101 | \varnothing 23mm x \varnothing 8mm x 1.5mmt WASHER | 2 |
| 32 | FLYWHEEL with MAGNETS | 1 | 67 | M10 x 20mm SOCKET HEAD BOLT | 1 | 102 | CLUTCH | 1 |
| 33 | POLY "V" DRIVE BELT 762PJ6 | 1 | 68 | SENSOR WITH CABLE | 1 | 103 | \varnothing 23mm x \varnothing 10mm x 2mmt WASHER | 1 |
| 34 | PANCAKE ALUMINUM | 1 | 69 | CABLE CLAMP | 1 | 104 | CHEST BELT (OPTIONAL) | 1 |
| 35 | HEAVY PANCAKE SPRING | 1 | 70 | M3 x 12mm PAN HEAD SCREW | 3 | | | |

STYLE No. R80APM(R80PRO) FOLDABLE

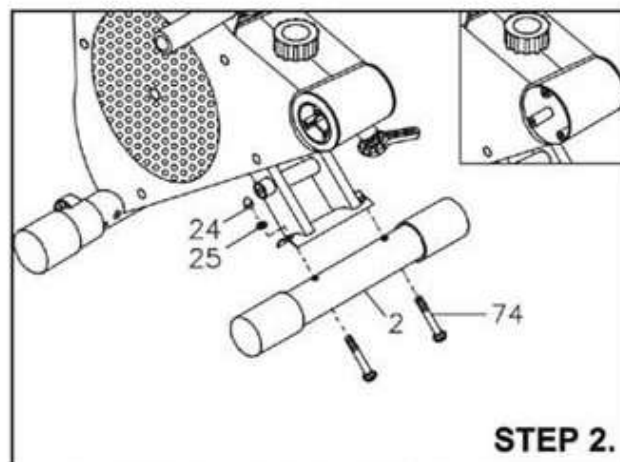
AIR MAGNETIC ROWER ASSEMBLY INSTRUCTIONS

Unpack the carton and layout all the parts ready for assembly.

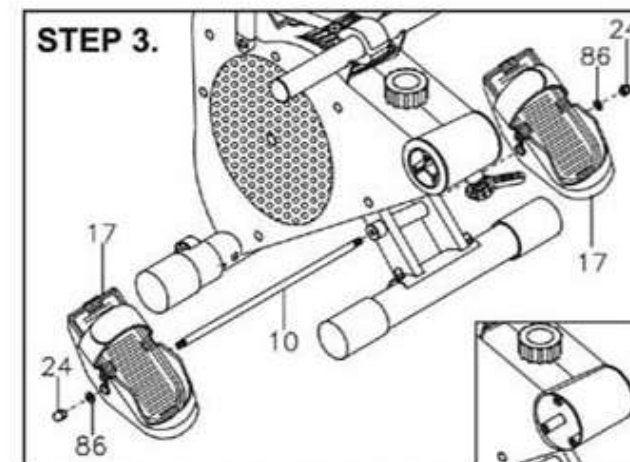
Using the TOOLS provided start the assembly procedure following the six easy steps listed below



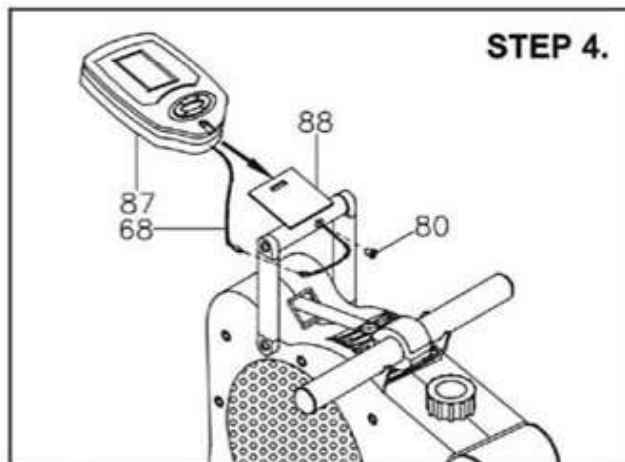
Push the FOOT PLUG with WHEEL [18] into each end of the MAIN FRAME [1]. Align the locating key. Secure with two $\varnothing 5.6\text{mm} \times 19\text{mm}$ PAN HEAD SCREW [22].



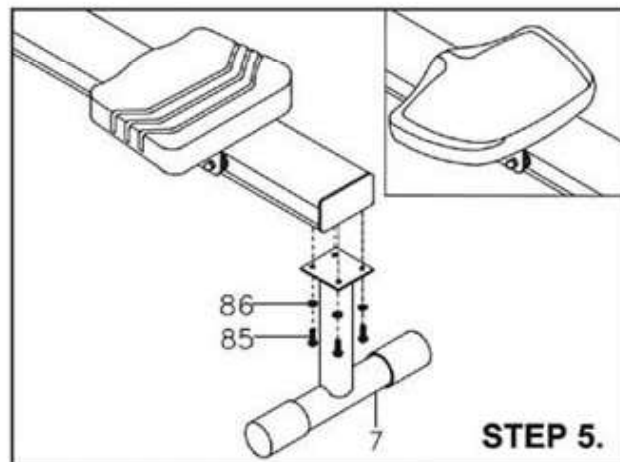
Fit the FOOT REST TUBE [2] with M8 x 70mm CARRIAGE BOLT [74] + $\varnothing 16\text{mm} \times \varnothing 8\text{mm}$ CURVED WASHER [25] + M8 LONG DOME NUT [24] and tighten firmly



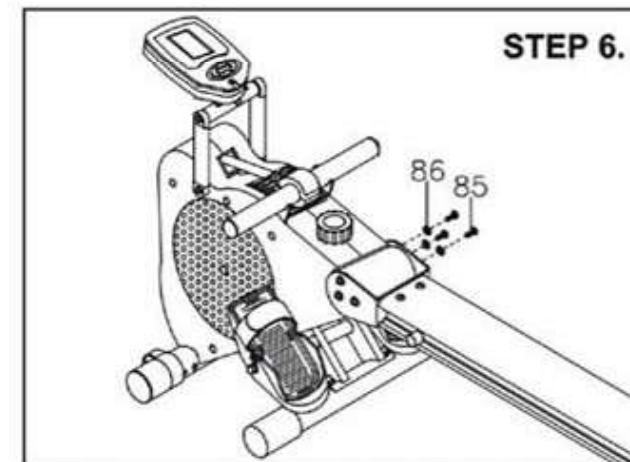
Slide the FOOT PEDAL BAR [10] through the MAIN FRAME [1]. Fit the FOOT PEDALS [17] (observe left and right) on each side. Secure with FLAT WASHER [86] and M8 LONG DOME NUT [24]. Tighten firmly.



Slide COMPUTER [87] on to the COMPUTER MOUNTING BRACKET [88]. Remove CABLE PLUG [80]. Join the SENSOR CABLE [68] to the COMPUTER cable. Push the excess cable into the hole in the tube. Replace the CABLE PLUG.



Fit the REAR LEG & STABILIZER [7] to the end of the MONORAIL [6]. Secure with 4 x FLAT WASHER [86] and 4 x PAN HEAD BOLT [85]. Tighten firmly.



Join the monorail section to the front section with 6 x FLAT WASHER and 6 x PAN HEAD BOLT, be careful to align each bolt correctly, and then tighten very firmly.